

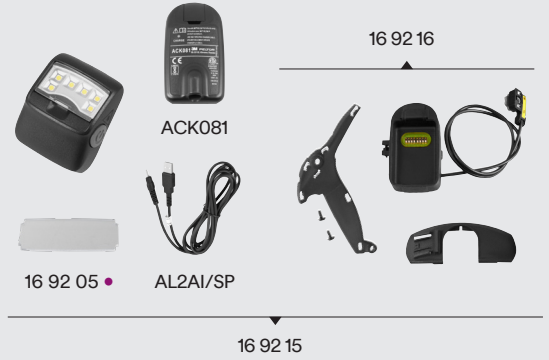
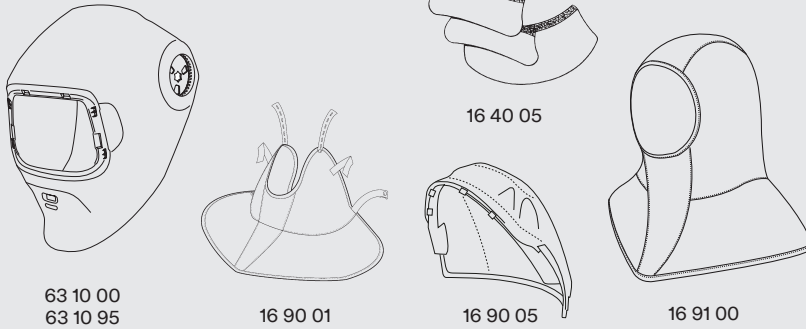
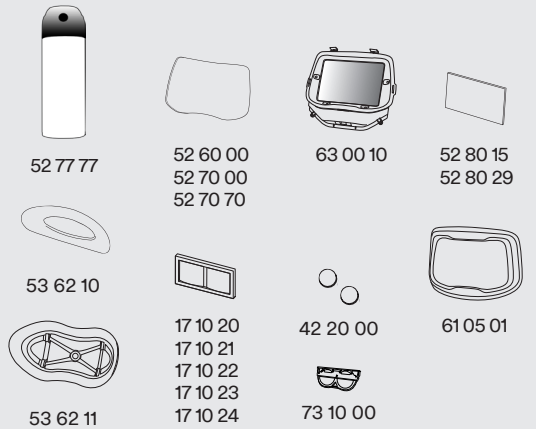
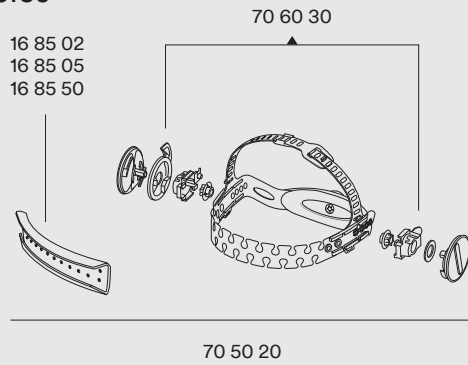
Speedglas™ 3M™ Speedglas™ Welding Helmet G5-03E

Spare parts & consumables



**3M™ Speedglas™
Welding Helmet
G5-03E**

Part No. 63 10 10



Part Number	Description	Part Number	Description
16 40 05	Ear/Throat Protection Leather	52 70 70	Lens Cover Outer High Heat Pk=10
16 85 02	Sweatband Pk=2	52 77 77	Mask Cleaning Spray 400ml
16 85 05	Sweatband Pk=5	52 80 15	Lens Cover Inner G5-03NC Pk=5
16 85 50	Sweatband Pk=50	52 80 29	Lens Cover Inner G5-03NC Anti-Fog Pk=5
16 90 01	Throat Protection Tecaweld	53 62 10	Head Harness Back Cushion (Small)
16 90 05	Head Protection	53 62 11	Head Harness Back Cushion (Large)
16 91 00	Head Cape	61 05 01	Silver Front Cover
16 92 05	Lens Cover Task Light Pk=5	63 00 10	Speedglas Welding Lens G5-03NC
16 92 15	Task Light Kit, Inc Battery & Cables	63 10 00	Helmet Shell G5-03 Pro inc. Head Harness, exc. Lens
16 92 16	Task Light Battery Holder Inc Attachment Parts	63 10 95	Helmet Shell G5-03 Pro exc. Head Harness and Lens
17 10 20	Magnifying Lens 1.0X	70 50 20	Head Harness
17 10 21	Magnifying Lens 1.5X	70 60 30	Head Harness Attachments
17 10 22	Magnifying Lens 2.0X	73 10 00	Battery Holder G5-03NC
17 10 23	Magnifying Lens 2.5X	ACK081	Rechargeable Battery for Task Light
17 10 24	Magnifying Lens 3.0X	AL2AI/SP	Battery Charging Cable for ACK081
42 20 00	Battery Lithium G5-03NC Pk=2		
52 60 00	Lens Cover Outer Standard Pk=10		
52 70 00	Lens Cover Outer Hard Coated Pk=10		